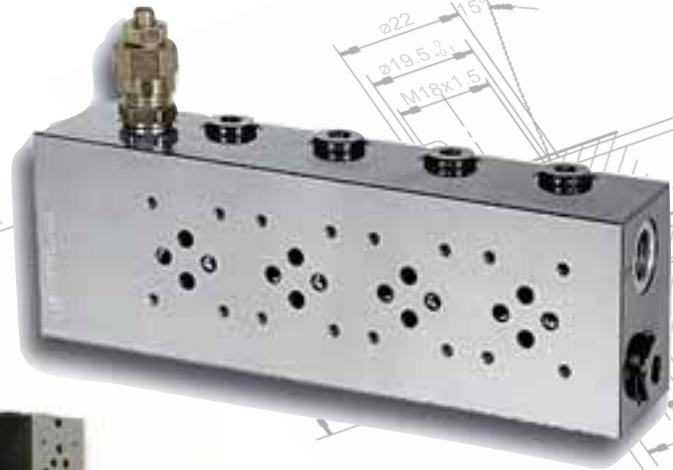




FER
HYDRAULIK
COMPONENTI OLEODINAMICI

CETOP subplates



SUBPLATE (CETOP 3)

TYPE

P06-SA 38

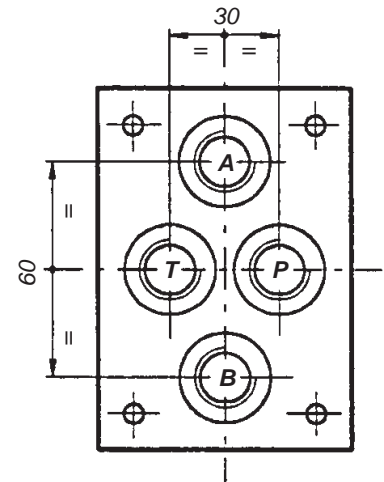
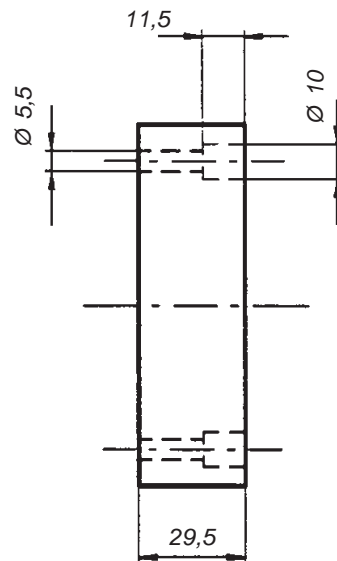
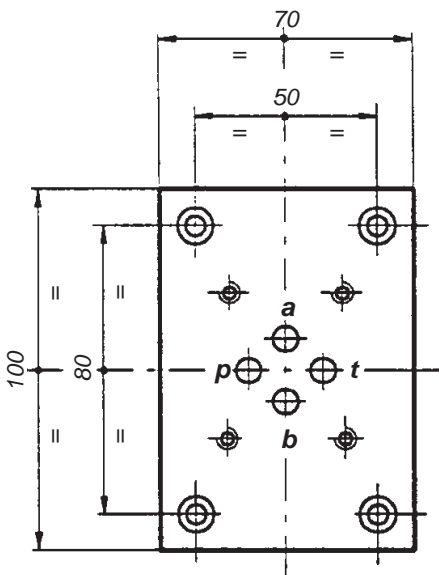
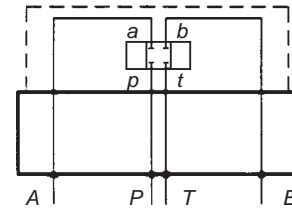
CODE

900H551111003000

MOUNTING SUBPLATE FOR
SOLENOID VALVE (CETOP3)

SYMBOL

MATERIAL : ALUMINIUM
WEIGHT : 0,500 Kg
PORT SIZE : 3/8" BSPP
MAX. WORKING PRESSURE : 250 bar



SUBPLATE (CETOP 3)

TYPE

P06-SC 38

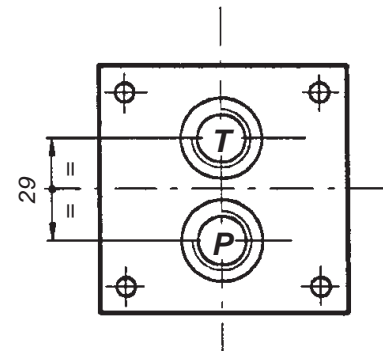
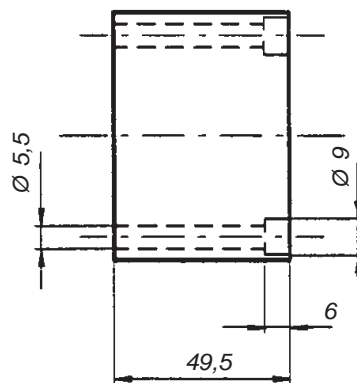
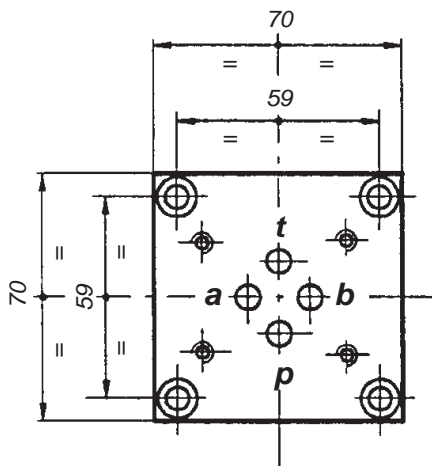
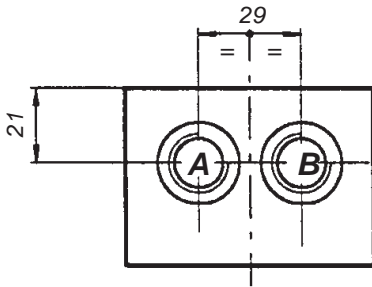
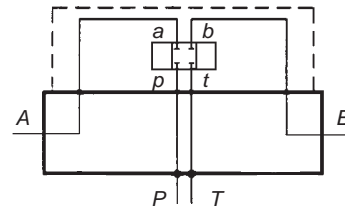
CODE

900H551112003000

MOUNTING SUBPLATE FOR SOLENOID VALVE
(CETOP3).

MATERIAL : ALUMINIUM
WEIGHT : 0,600 Kg
PORT SIZE : 3/8" BSPP
MAX. WORKING PRESSURE : 250 bar

SYMBOL



SUBPLATE (CETOP 3)

TYPE

P06-38 VMSB

CODE

900H5511121030 **YZ**

MOUNTING SUBPLATE FOR SOLENOID VALVE
(CETOP3) WITH PRESSURE RELIEF VALVE

SYMBOL

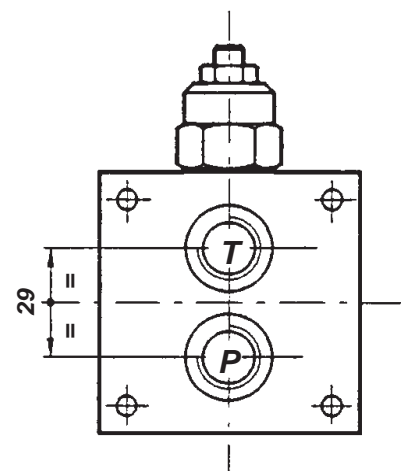
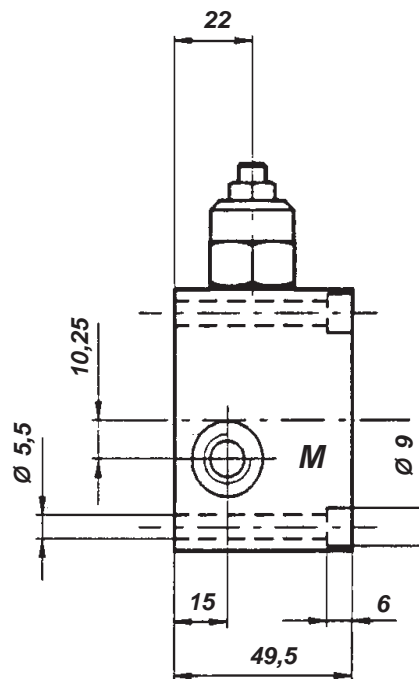
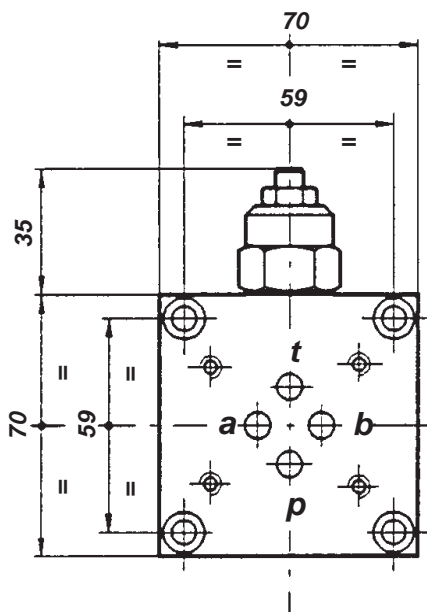
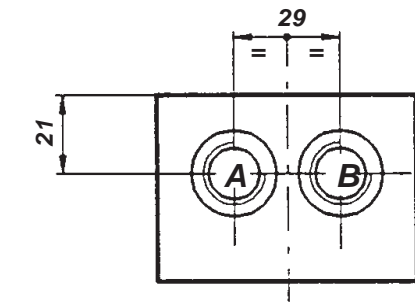
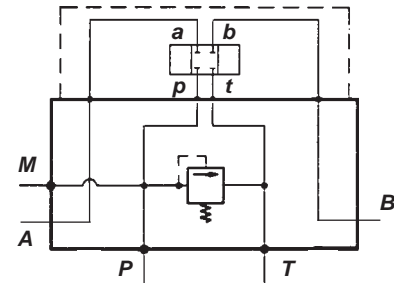
YZ : see VM35 page 1.01

MATERIAL : ALUMINIUM

WEIGHT : 0,725 Kg

PORT SIZE : 3/8" BSPP

MAX. WORKING PRESSURE : 250 bar



SUBPLATE (CETOP 3)

TYPE

P06-38 VMS-30

CODE

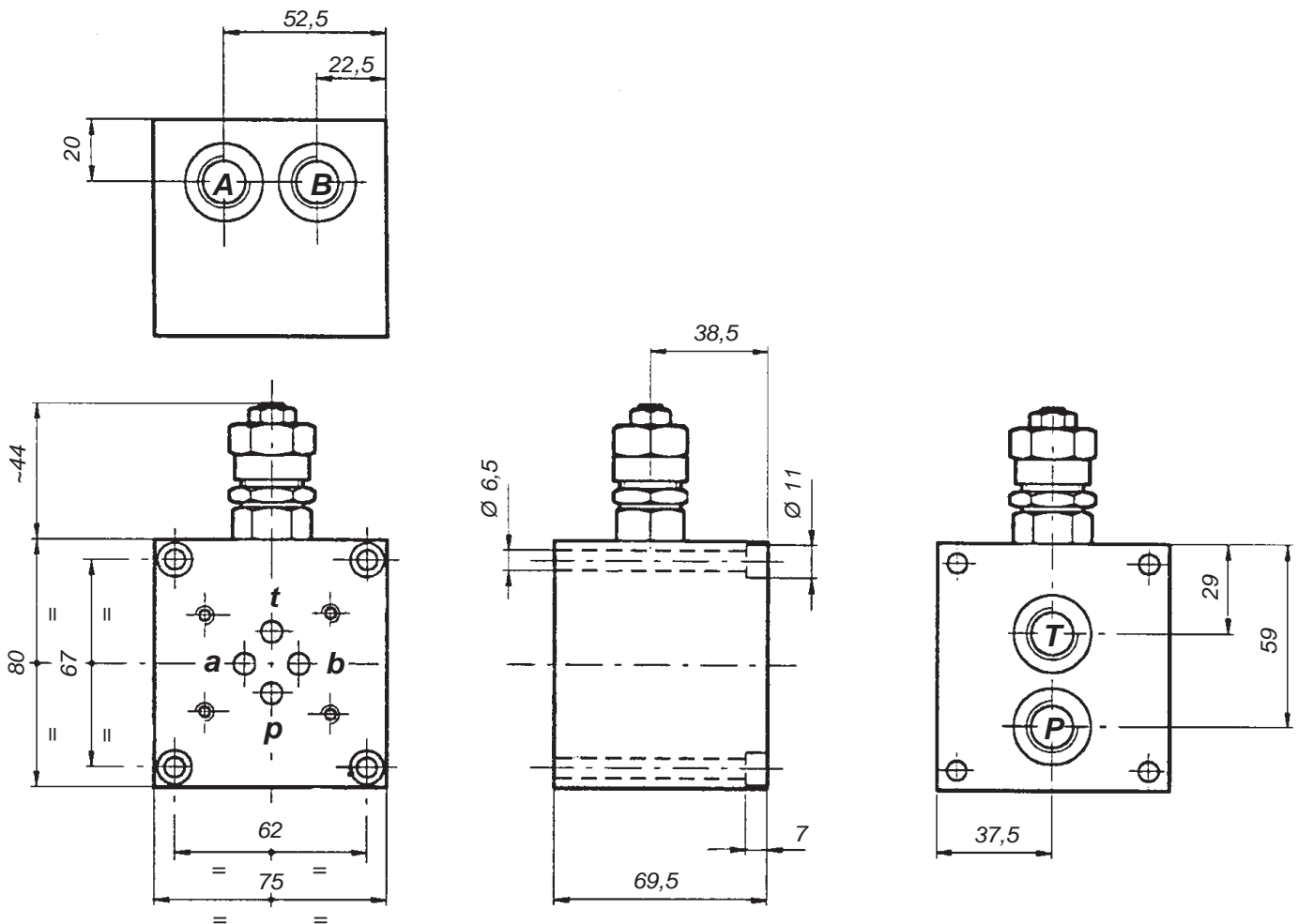
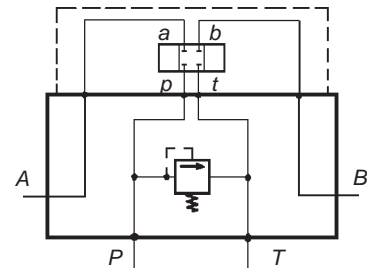
900H5511123030**XY**

MOUNTING SUBPLATE FOR SOLENOID VALVE
(CETOP3) WITH PRESSURE RELIEF VALVE

SYMBOL

XY : see VS-30-NC page 1.09

MATERIAL : ALUMINIUM
WEIGHT : 1,330 Kg
PORT SIZE : 3/8" BSPP
MAX. WORKING PRESSURE : 250 bar



SUBPLATE (CETOP 3)

TYPE

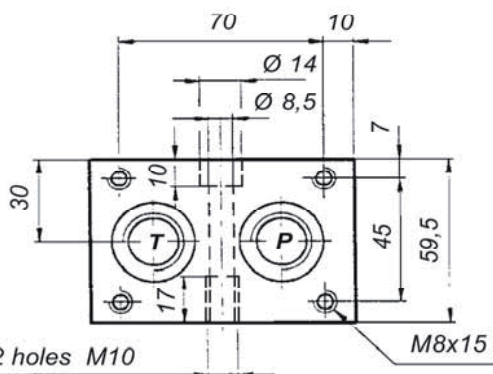
P06-M 38/n°

CODE

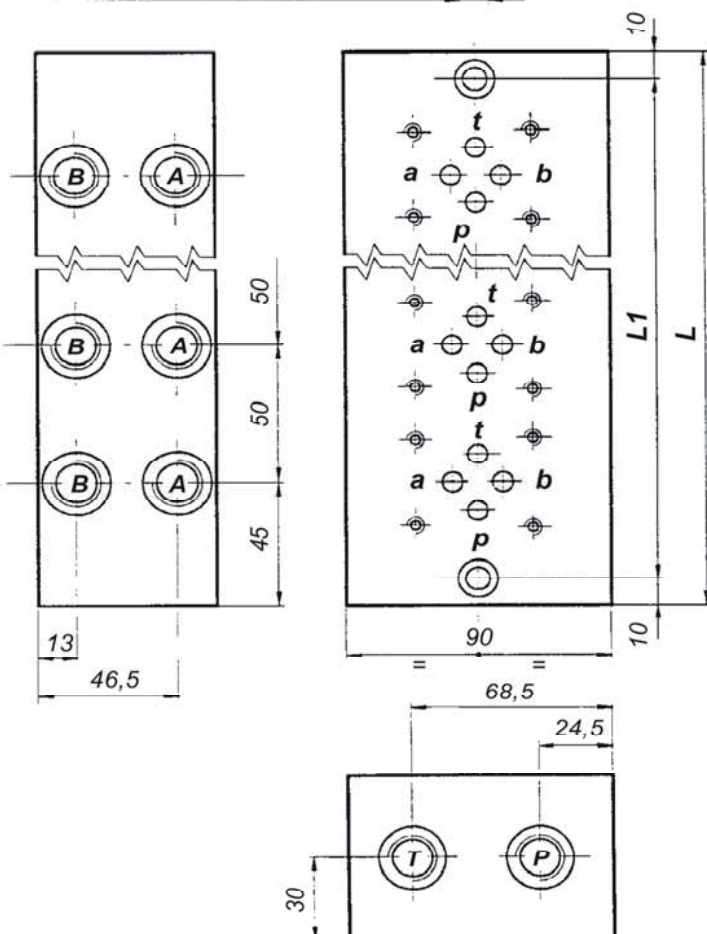
900H55X3003000

MOUNTING SUBPLATES FOR SOLENOID VALVES
(CETOP3) PARALLEL CONNECTION.
ON REQUEST SERIAL CONNECTION

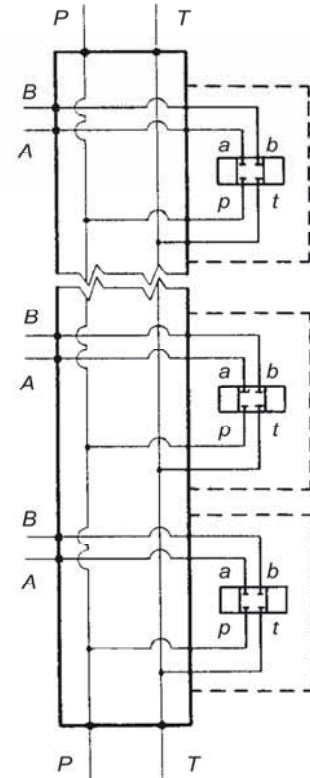
MATERIAL: **ALLUMINIUM**
PORT SIZE: **A and B 3/8" BSPP**
P and T 1/2" BSPP
MAX. WORKING PRESSURE: **250 bar**



(On Request) n.2 holes M10



SYMBOL



X	TYPE	L mm.	L1 mm.	Weight Kg.
111	P06 - M 38/ 1	90	70	1,22
112	P06 - M 38/ 2	140	120	1,89
113	P06 - M 38/ 3	190	170	2,56
114	P06 - M 38/ 4	240	220	3,24
115	P06 - M 38/ 5	290	270	3,91
116	P06 - M 38/ 6	340	320	4,59
117	P06 - M 38/ 7	390	370	5,26
118	P06 - M 38/ 8	440	420	5,94

SUBPLATE (CETOP 3)

TYPE

P06-MVS 38B2/n°

CODE

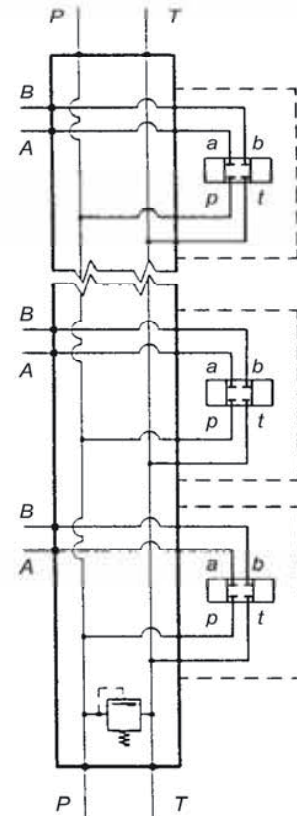
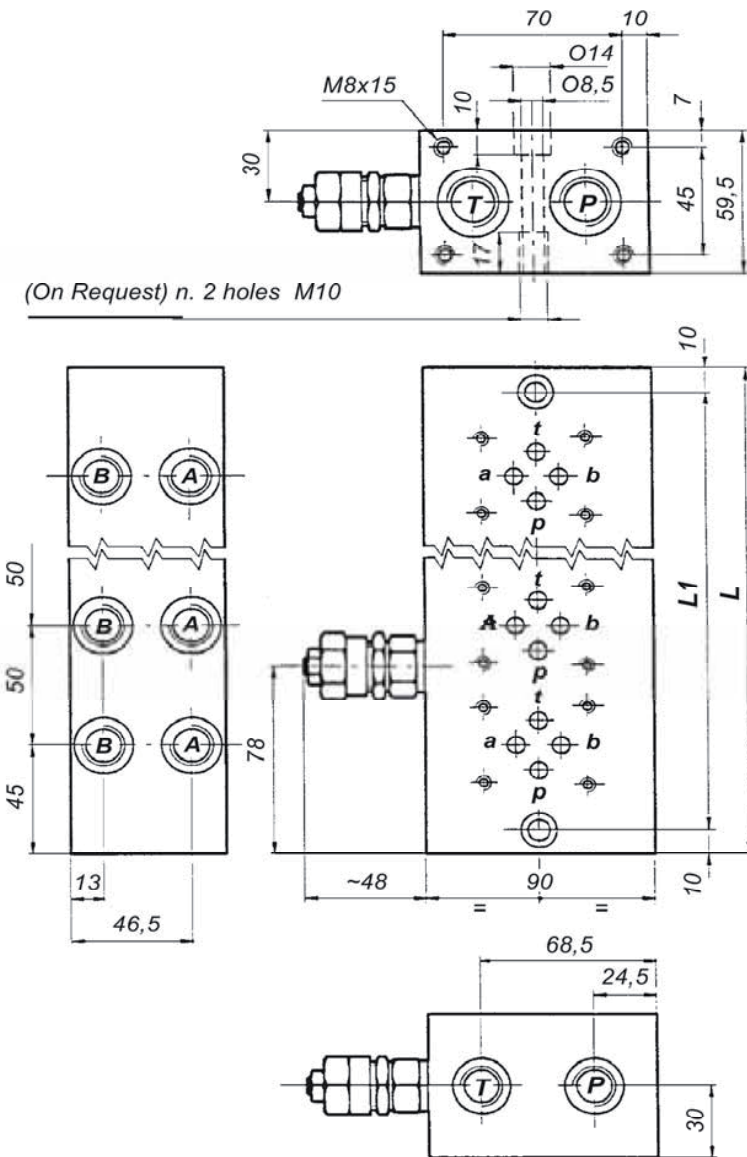
900H55Z33030XY

MOUNTING SUBPLATES FOR SOLENOID VALVES
(CETOP3) PARALLEL CONNECTION WITH
PRESSURE RELIEF VALVE.
ON REQUEST SERIAL CONNECTION

SYMBOL

XY : see VS-30-NC page 1.09

MATERIAL: **ALLUMINIUM**
PORT SIZE: **A and B 3/8" BSPP**
P and T 1/2" BSPP
MAX. WORKING PRESSURE: **250 bar**



Z	TYPE	L mm.	L1 mm.	Weight Kg.
111	P06-MVS 38B2/ 1	90	70	1,39
112	P06-MVS 38B2/ 2	140	120	2,06
113	P06-MVS 38B2/ 3	190	170	2,73
114	P06-MVS 38B2/ 4	240	220	3,41
115	P06-MVS 38B2/ 5	290	270	4,08
116	P06-MVS 38B2/ 6	340	320	4,76
117	P06-MVS 38B2/ 7	390	370	5,43
118	P06-MVS 38B2/ 8	440	420	6,11

SUBPLATE (CETOP 5)

TYPE

P10-12 S

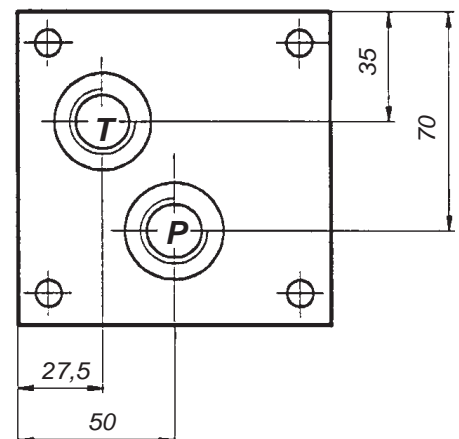
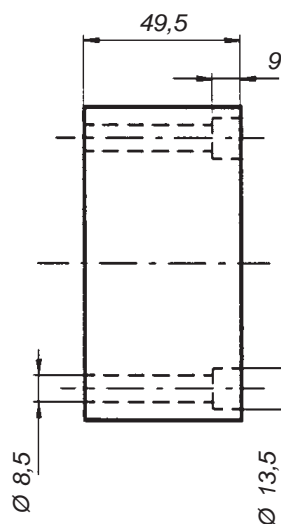
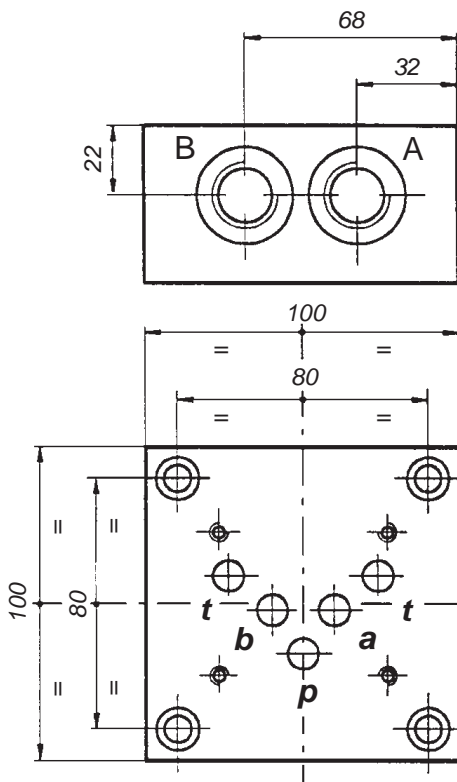
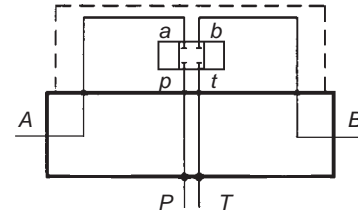
CODE

900H551212004000

MOUNTING SUBPLATES FOR SOLENOID VALVE
(CETOP5)

SYMBOL

MATERIAL: **ALLUMINIUM**
WEIGHT: **1,250 Kg**
PORT SIZE: **1/2" BSPP**
MAX. WORKING PRESSURE: **250 bar**



SUBPLATE (CETOP 5)

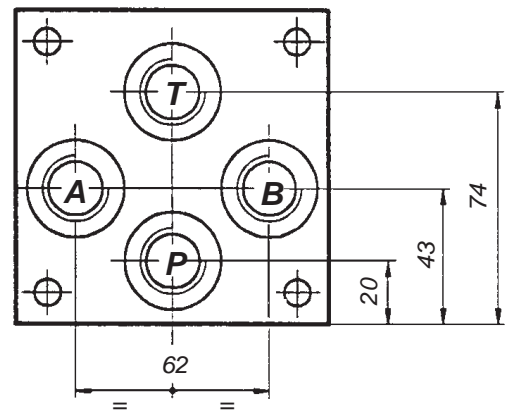
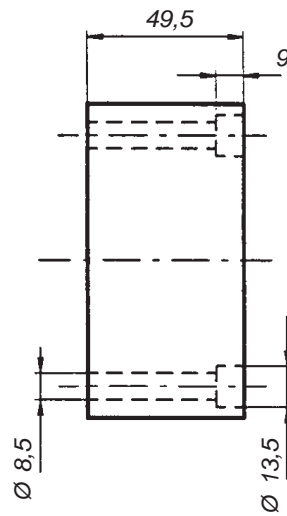
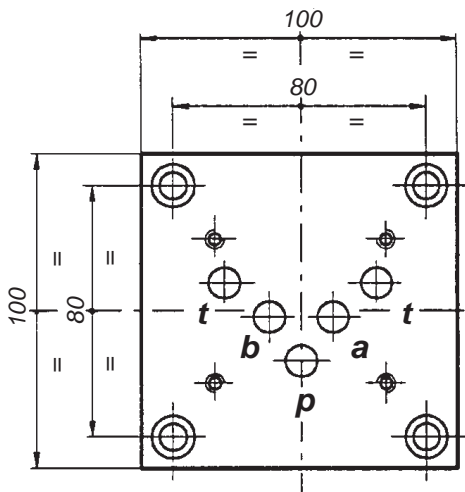
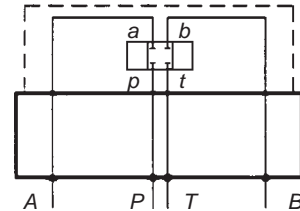
TYPE **P10-12 SB**

CODE **900H551211004000**

MOUNTING SUBPLATE FOR SOLENOID VALVE
(CETOP5)

SYMBOL

MATERIAL : **ALLUMINIUM**
 WEIGHT : **1,250 Kg**
 PORT SIZE : **1/2" BSPP**
 MAX. WORKING PRESSURE : **250 bar**



SUBPLATE (CETOP 5)

TYPE

P10-12 VMS

CODE

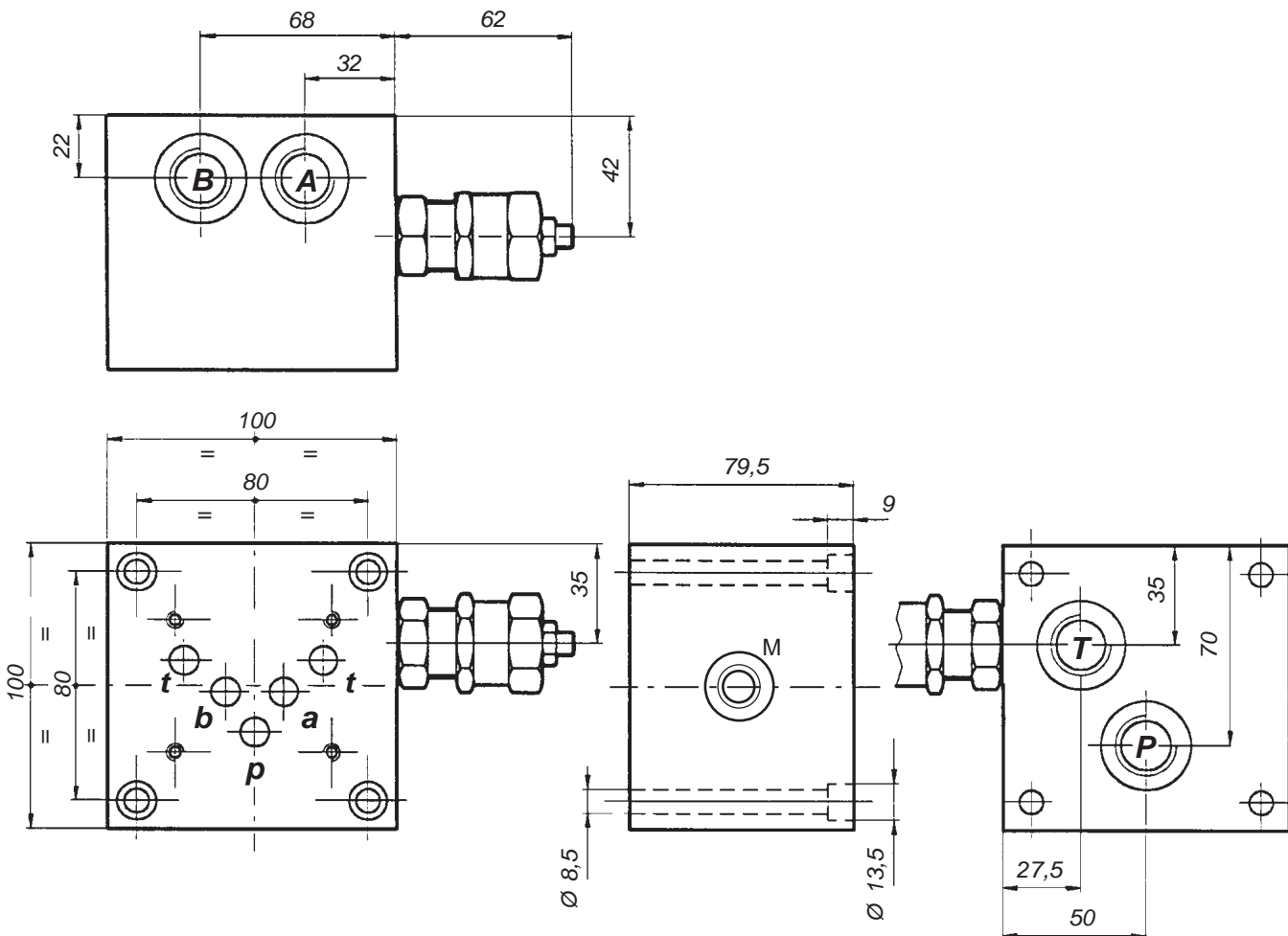
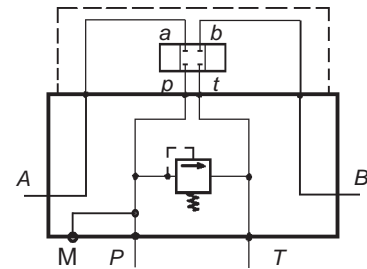
900H5512121040XY

MOUNTING SUBPLATE FOR SOLENOID VALVE
(CETOP5) WITH PRESSURE RELIEF VALVE

SYMBOL

XY : see VS-80-N page 1.07

MATERIAL : **ALLUMINIUM**
WEIGHT : **2,550 Kg**
PORT SIZE : **1/2" BSPP**
MAX. WORKING PRESSURE : **250 bar**



SUBPLATE (CETOP 5)

TYPE

P10-M 12/n°

CODE

900H55X3004000

MOUNTING SUBPLATES FOR SOLENOID VALVES (CETOP5) PARALLEL CONNECTION.
ON REQUEST SERIAL CONNECTION

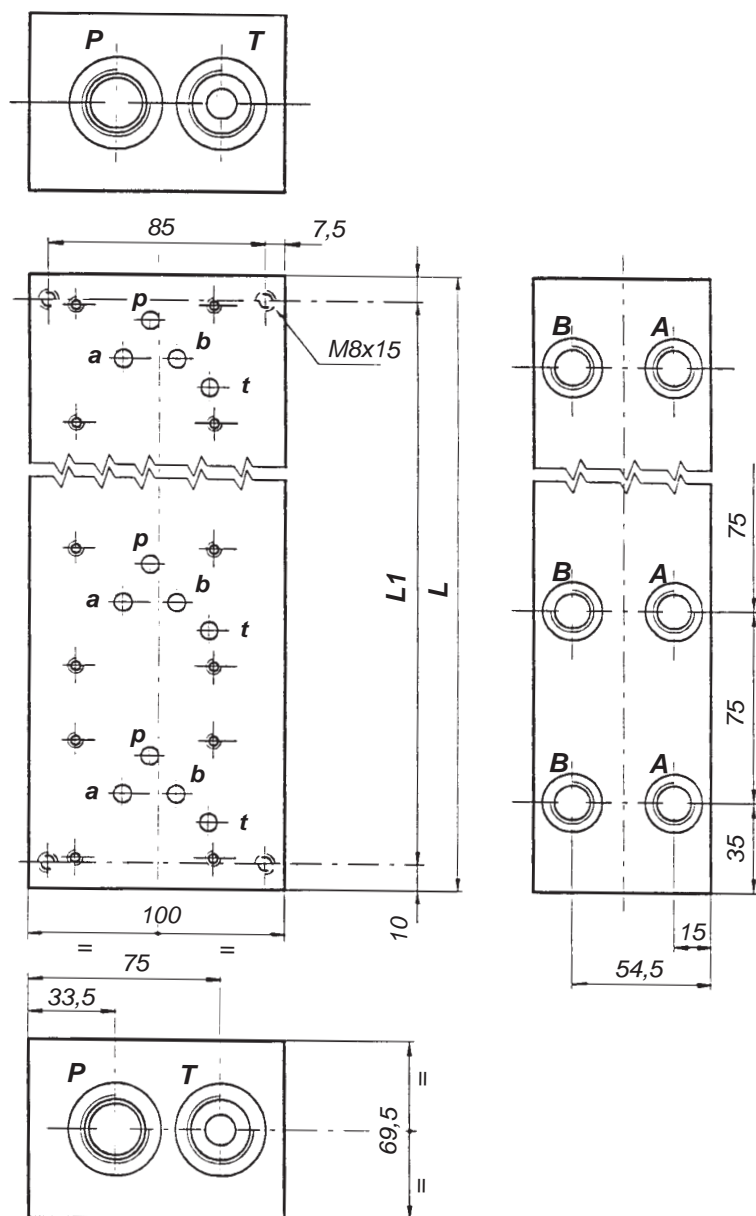
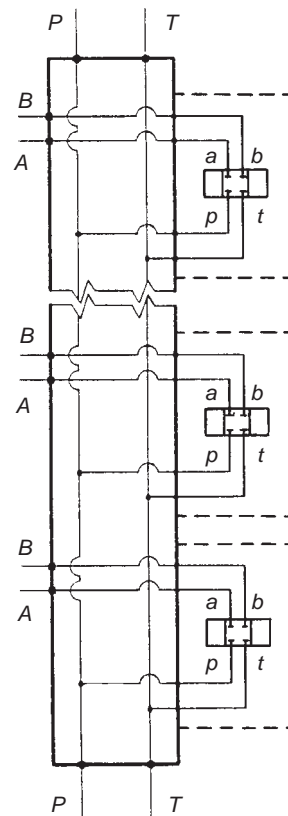
MATERIAL: **ALLUMINIUM**

PORT SIZE : **A and B 1/2" BSPP**

P and T 3/4" BSPP

MAX. WORKING PRESSURE : **250 bar**

SYMBOL



X	TYPE	L mm.	L1 mm.	WEIGHT Kg.
122	P10 - M 12/ 2	155	135	2,710
123	P10 - M 12/ 3	230	210	4,030
124	P10 - M 12/ 4	305	285	5,340
125	P10 - M 12/ 5	380	360	6,650
126	P10 - M 12/ 6	455	435	7,970

**The dimensions may change

SUBPLATE (CETOP 5)

TYPE

P10-MVS 12/n°

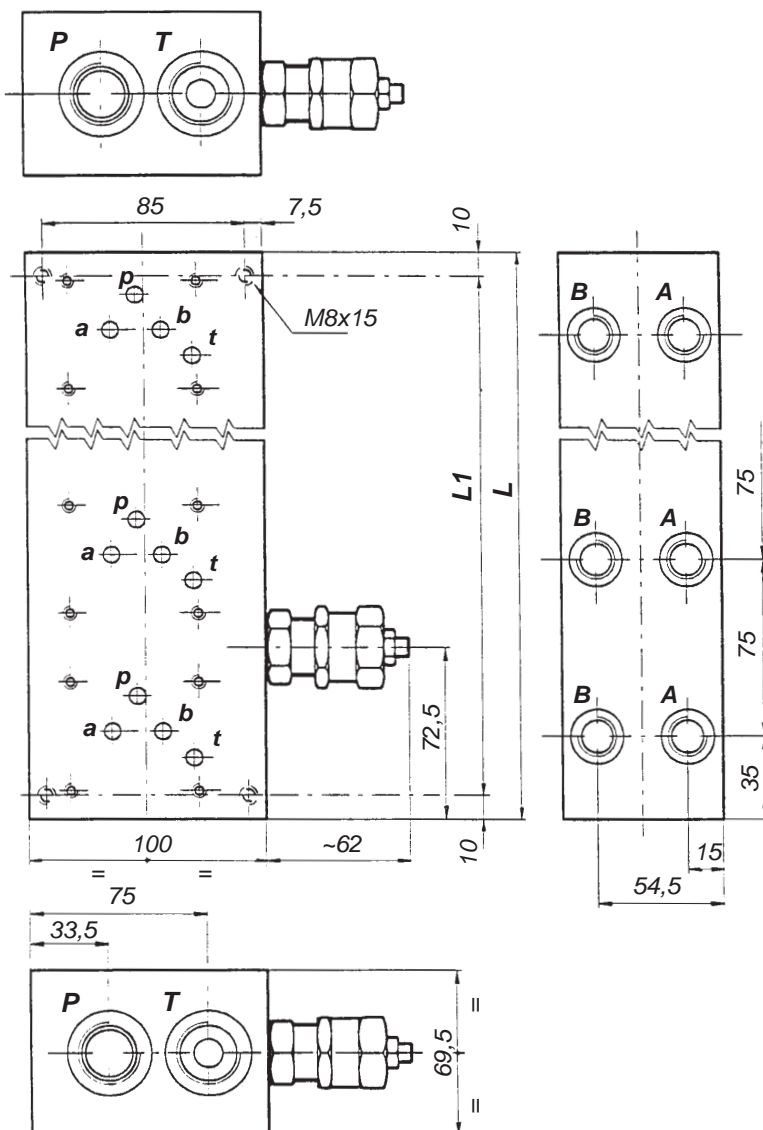
CODE

900H55Z31040XY

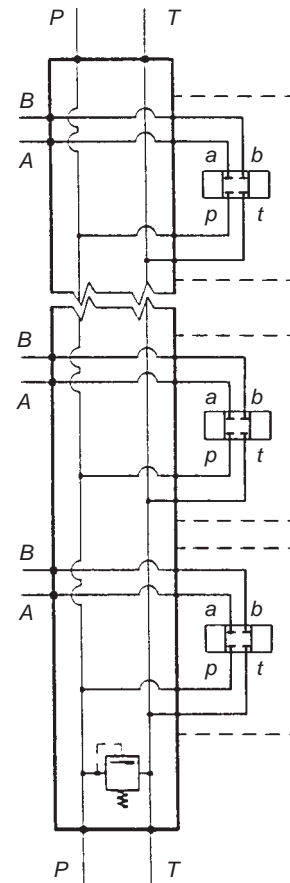
MOUNTING SUBPLATES FOR SOLENOID VALVES
(CETOP5) PARALLEL CONNECTION WITH
PRESSURE RELIEF VALVE.
ON REQUEST SERIAL CONNECTION

XY : see VS-80-N page 1.07

MATERIAL: **ALLUMINIUM**
PORT SIZE: **A and B 1/2" BSPP**
P and T 3/4" BSPP
MAX. WORKING PRESSURE : **250 bar**



SYMBOL



Z	TYPE	L mm.	L1 mm.	WEIGHT Kg.
122	P10-MVS 12/ 2	155	135	3,060
123	P10-MVS 12/ 3	230	210	4,380
124	P10-MVS 12/ 4	305	285	5,690
125	P10-MVS 12/ 5	380	360	7,000
126	P10-MVS 12/ 6	455	435	8,320

**The dimensions may change